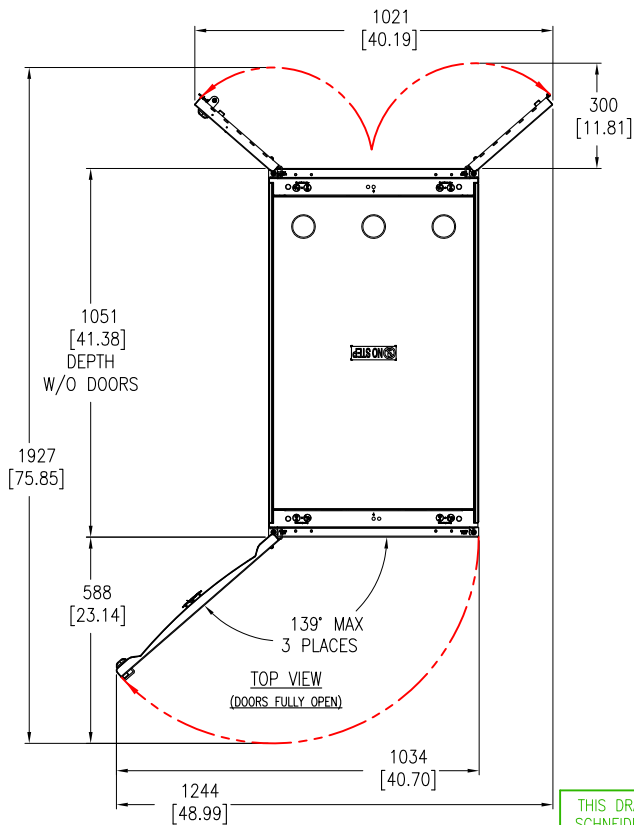


DETAIL-A  
(RM PDU MOUNTING)

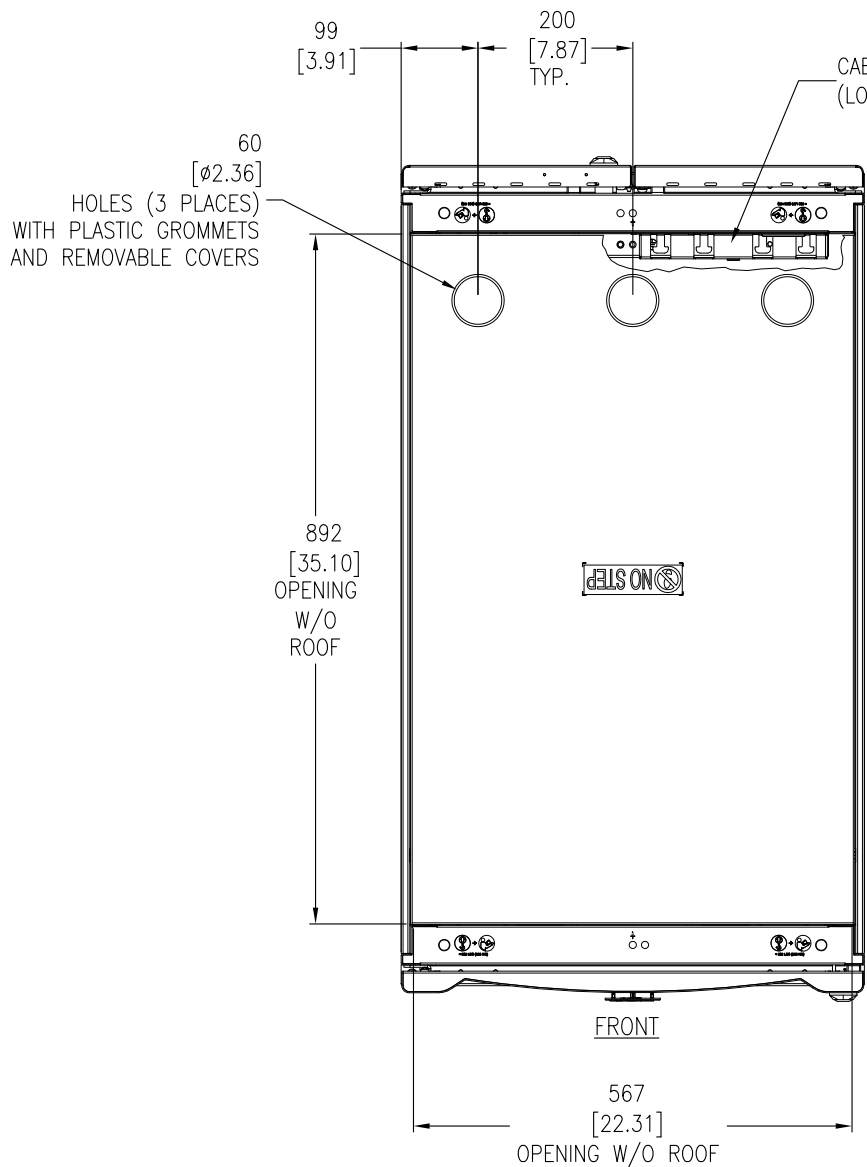


NOTES:

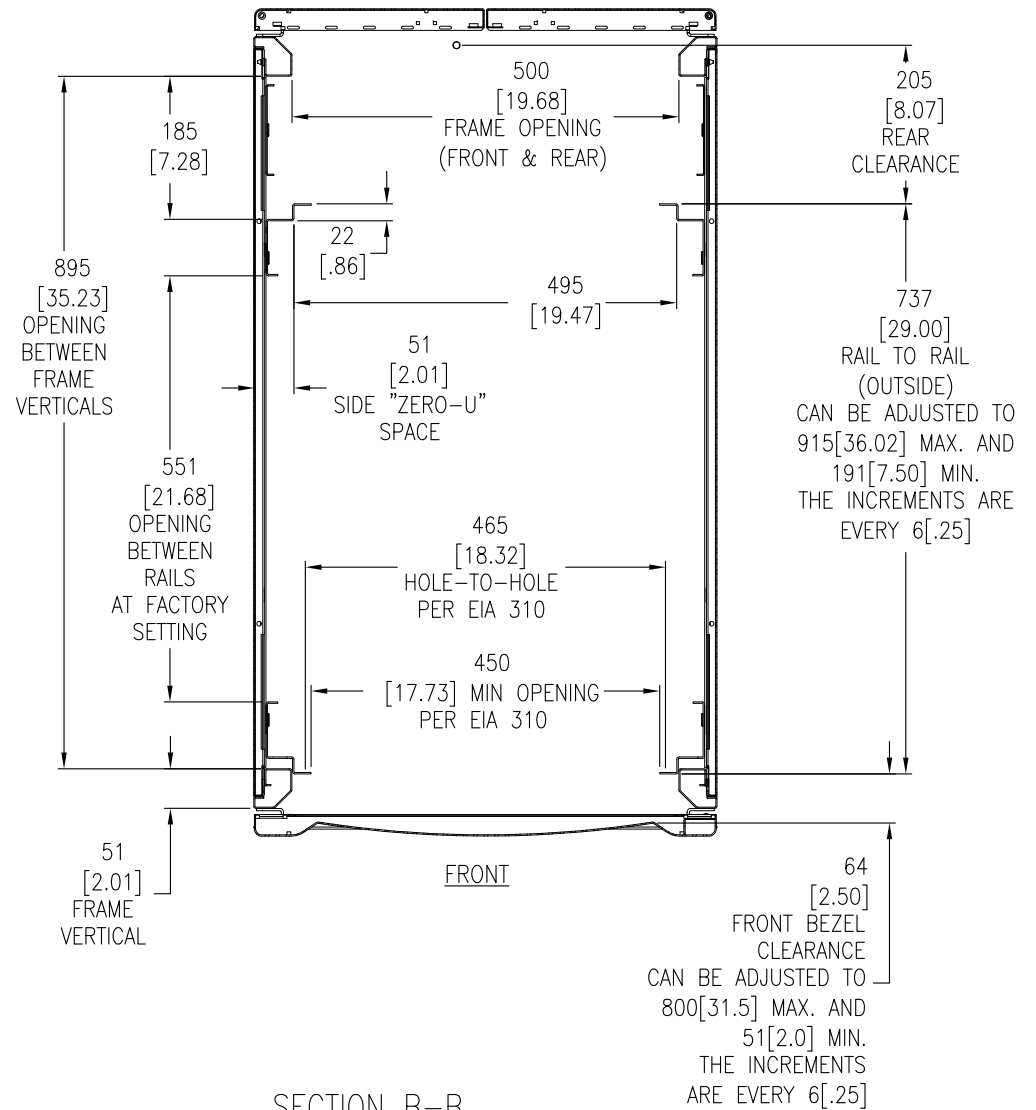
1. INSTALLATION MUST COMPLY WITH NATIONAL AND LOCAL ELECTRICAL REGULATIONS.
2. PLEASE REFER TO THE PRODUCT MANUALS FOR DETAILED INFORMATION.
3. ALL DIMENSIONS ARE IN MILLIMETERS [INCHES].
4. NET WEIGHT OF UNIT IS 89.09 Kg [196 LBS].
5. CABLE ENTRY IS TOP OR BOTTOM OF UNIT.
6. FRONT AND REAR SERVICE ACCESS REQUIRED.
7. AIR FLOW AND SERVICE REQUIREMENTS, AS WELL AS MINIMUM CLEARANCE TO FIRE SUPPRESSION SYSTEMS SHOULD BE CONSIDERED WHEN LOCATING THE ENCLOSURE.



TITLE: NETSHELTER SX 24U 600MM x 1070MM DEEP ENCLOSURE MAIN MECHANICAL		DWG NO: AR3104	REV. 2
DRAWN BY: B.ZAHN		07-AUG-09	FIRST
ENGINEER: K.THOMAS		07-AUG-09	ANGLE
PROJECT: STD SUBMITTAL DRAWINGS	SHEET 1 OF 3	APPROVED BY: SHERIDAN/ESUNA/CARSON/SINGH	07-AUG-09
			PROJECTION



TOP VIEW



SECTION B-B

(VIEW FROM INSIDE CABINET, LOOKING DOWN  
SOME MECHANICAL COMPONENTS HAVE BEEN  
OMITTED FOR THE PURPOSE OF CLARITY)

NOTES:

1. INSTALLATION MUST COMPLY WITH ALL APPLICABLE NATIONAL AND LOCAL CODES.
2. ALL DIMENSIONS ARE IN MILLIMETERS [INCHES]

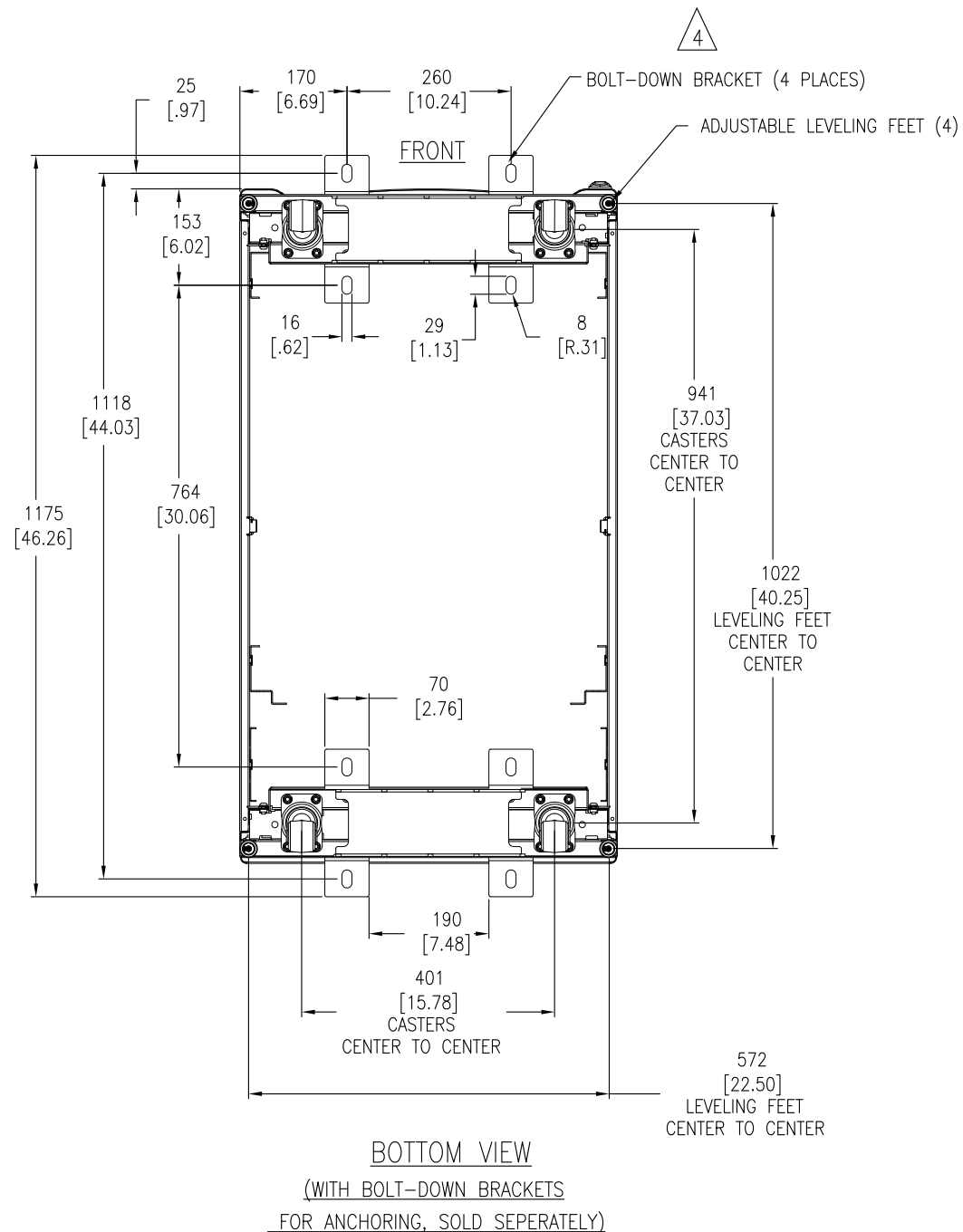
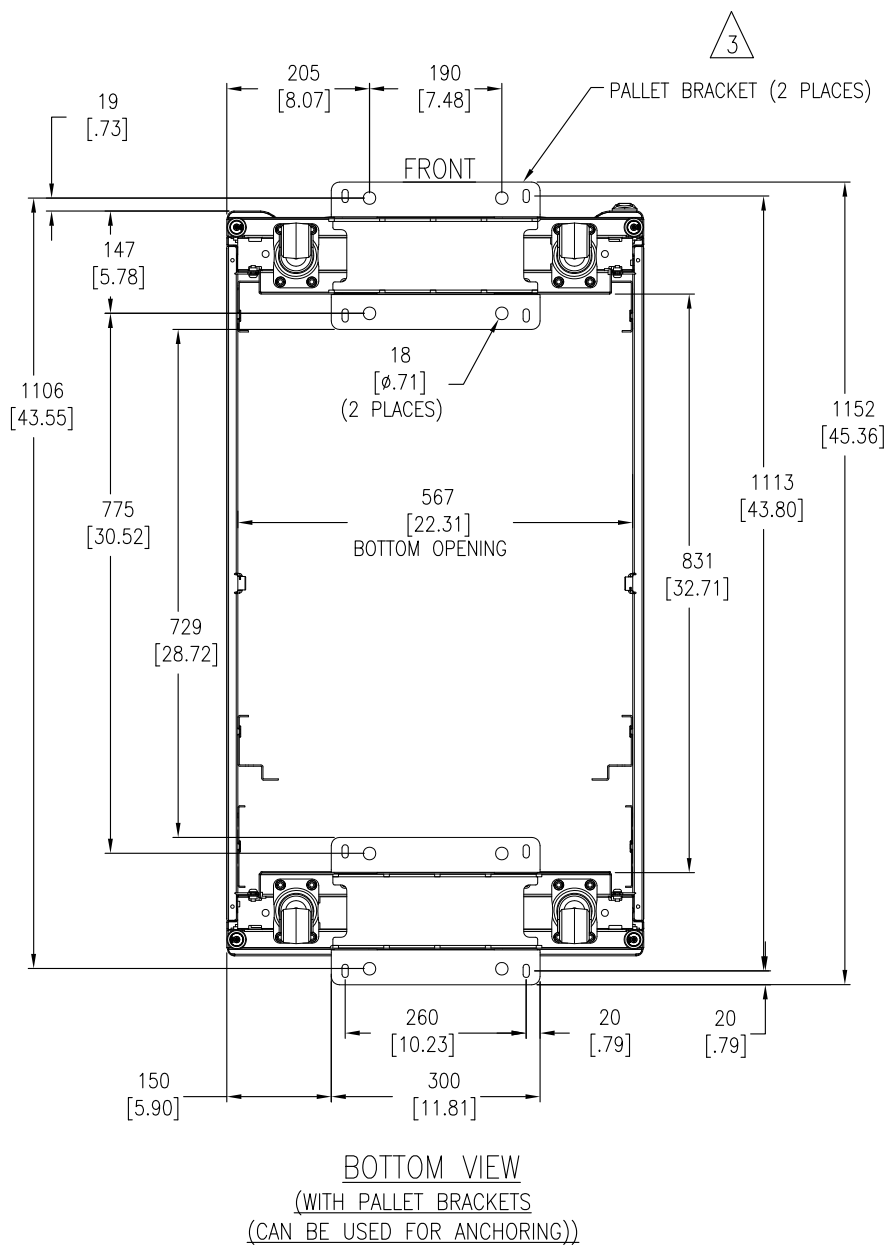
THIS DRAWING AND SPECIFICATIONS HEREIN ARE THE PROPERTY OF SCHNEIDER ELECTRIC AND SHALL NOT BE COPIED, REPRODUCED OR USED IN WHOLE OR IN PART, AS THE BASIS FOR THE MANUFACTURE OR SALE OF ITEMS WITHOUT WRITTEN PERMISSION FROM SCHNEIDER ELECTRIC. THIS DRAWING IS BASED UPON LATEST AVAILABLE INFORMATION AND IS SUBJECT TO CHANGE WITHOUT NOTICE.



TITLE: NETSHELTER SX 24U  
600MM x 1070MM DEEP ENCLOSURE  
TOP, SECTION VIEWS

PROJECT: STD SUBMITTAL DRAWINGS SHEET 2 OF 3

DWG NO:	AR3104	REV.	2
DRAWN BY:	B ZAHN	07-AUG-09	FIRST ANGLE PROJECTION
ENGINEER:	K.THOMAS	07-AUG-09	
APPROVED BY:	B.SHERIDAN/E.SILVA/C.ARSON/S.WAGH	07-AUG-09	



**NOTES:**

1. INSTALLATION MUST COMPLY WITH ALL APPLICABLE NATIONAL AND LOCAL CODES.
2. ALL DIMENSIONS ARE IN MILLIMETERS [INCHES].
- △ 3. ANCHORING CAN BE INSTALLED EITHER INSIDE OR OUTSIDE THE NetShelter WITH ONE AT FRONT AND ONE IN BACK.
- △ 4. BOLT-DOWN KIT (SKU# AR7701) IS OPTIONAL AND HAS TO BE ORDERED SEPERATELY.

THIS DRAWING AND SPECIFICATIONS HEREIN ARE THE PROPERTY OF SCHNEIDER ELECTRIC AND SHALL NOT BE COPIED, REPRODUCED OR USED IN WHOLE OR IN PART, AS THE BASIS FOR THE MANUFACTURE OR SALE OF ITEMS WITHOUT WRITTEN PERMISSION FROM SCHNEIDER ELECTRIC. THIS DRAWING IS BASED UPON LATEST AVAILABLE INFORMATION AND IS SUBJECT TO CHANGE WITHOUT NOTICE.



TITLE: NETSHELTER SX 24U  
600MM x 1070MM DEEP ENCLOSURE  
MAIN MECHANICAL

PROJECT: STD SUBMITTAL DRAWINGS SHEET 3 OF 3

DWG NO:	AR3104		REV.	2
DRAWN BY:	B ZAHN	07-AUG-09	FIRST	ANGLE
ENGINEER:	K.THOMAS	07-AUG-09	APPROVED	BY: SHERIDAN/ESLW/C LARSEN'S WGH
APPROVED:	07-AUG-09	PROJECTION		